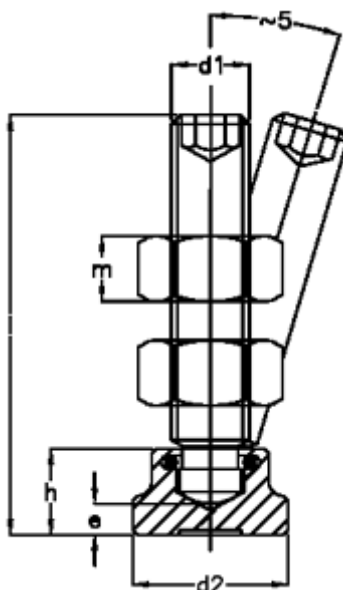


Article number: 20940625

Description: E+G Clamping bolt
GN 802-M6-32

Measures



d1 = M6

d2 = 12

e = 2,2

h = 7

l1 = 32

m = 5.2